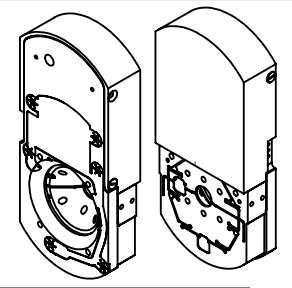


6 5 4 3 2 1

D

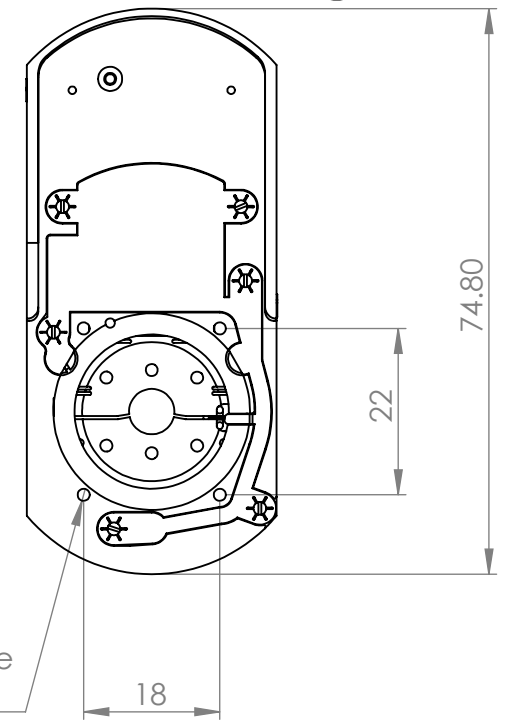
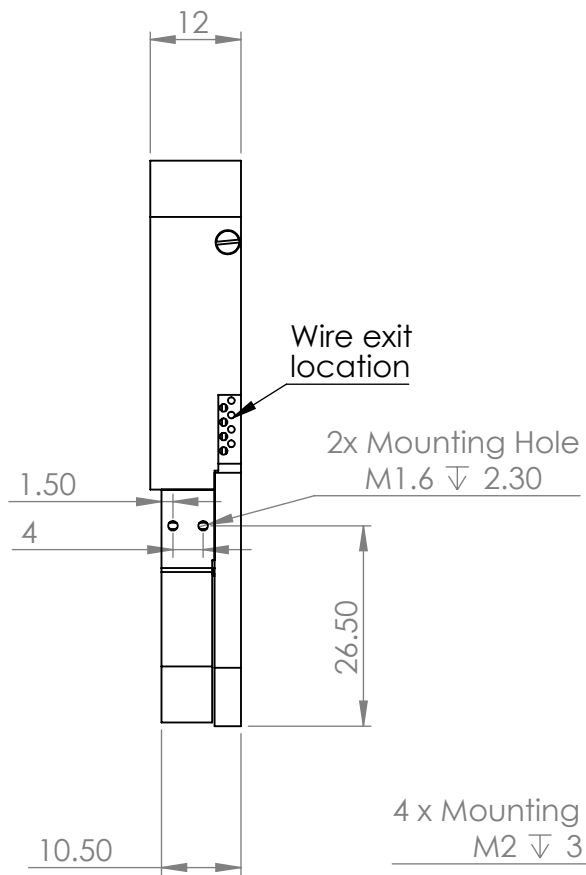
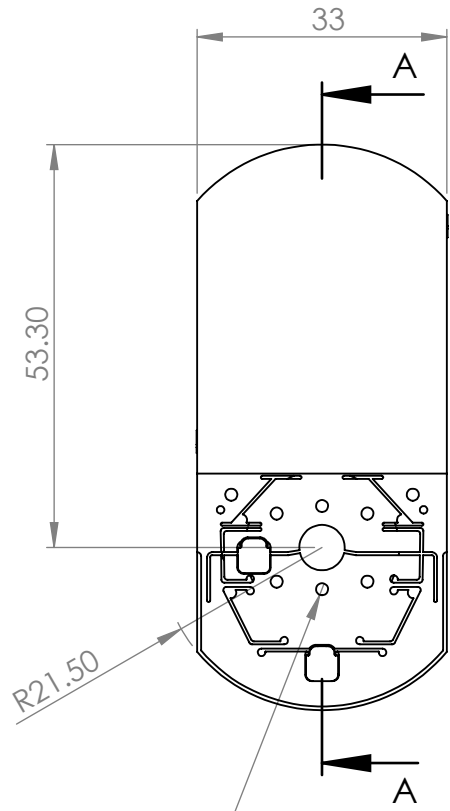
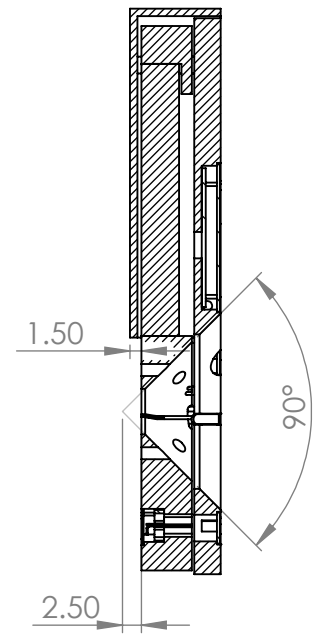
D



C

C

SECTION A-A



B

B

Sample Mounting Holes  
M2 ∇ 4  
11mm Apart

 THIRD ANGLE	<b>RAZORBILL INSTRUMENTS</b> PHONE: 0131 258 4329    EMAIL: Tom@razorbillinstruments.com <small>UNLESS NOTED OTHERWISE, ALL DESIGNS AND DRAWINGS ARE CONFIDENTIAL</small>	
	TITLE:	

UC220T

VERSION: 1.3	DATE: 2023-12-11	DWG NO: UC220T customer drawing
-----------------	---------------------	------------------------------------

MATERIAL: Assembly	SHEET 1 OF 1	SCALE:1:1 PRINT ON A4 DO NOT SCALE DRAWING
-----------------------	--------------	---

3D Models are available, contact Razorbill Instruments

6 5 4 3 2 1

A

A