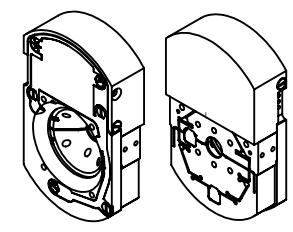


6 5 4 3 2 1



D

D

C

C

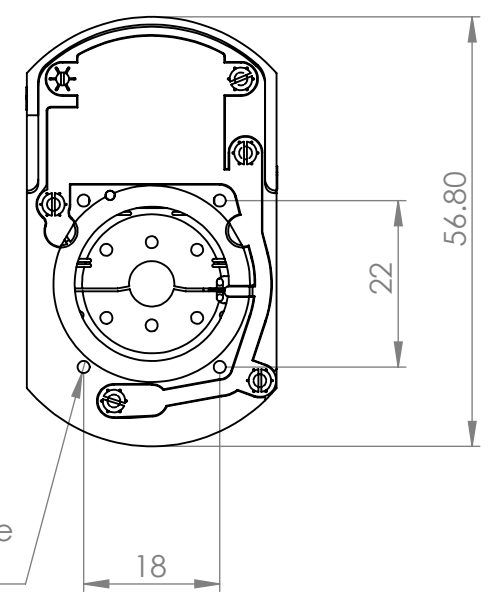
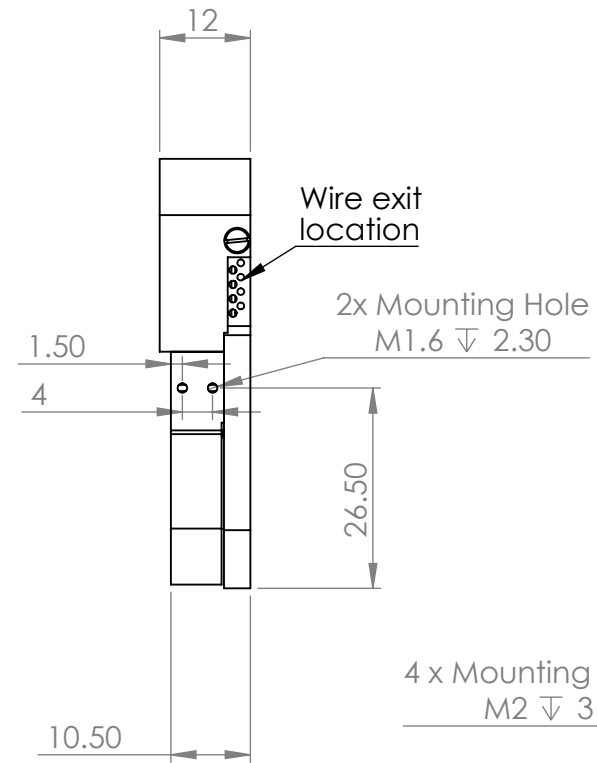
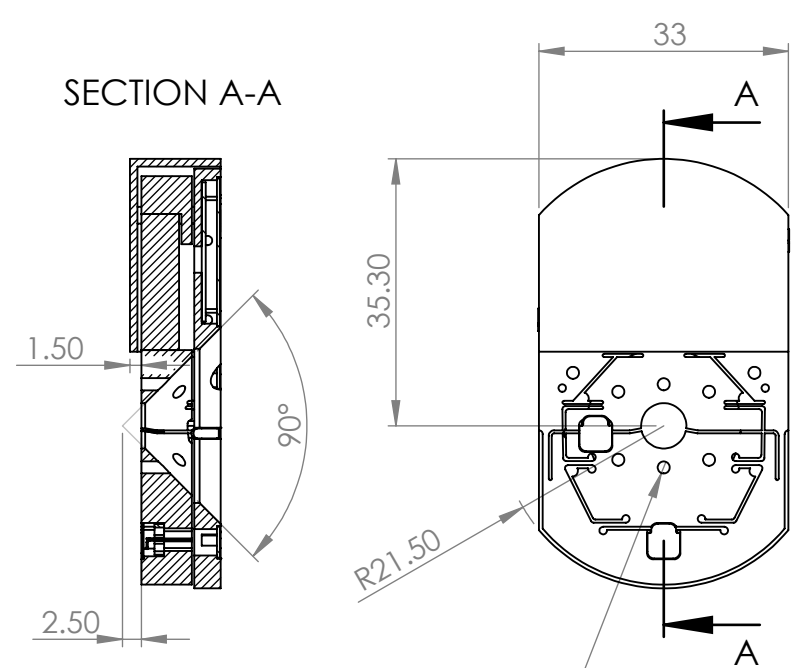
B

B

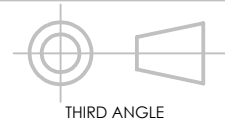
A

A

SECTION A-A



Sample Mounting Holes
M2 ∇ 4
11mm Apart



THIRD ANGLE

RAZORBILL INSTRUMENTS

PHONE: 0131 258 4329 EMAIL: Tom@razorbillinstruments.com
UNLESS NOTED OTHERWISE, ALL DESIGNS AND DRAWINGS ARE CONFIDENTIAL

TITLE:

UC200T

VERSION: 1.3 DATE: 2023-12-11

DWG NO: UC200T customer drawing

MATERIAL: Assembly

SHEET 1 OF 1

SCALE:1:1 PRINT ON A4
DO NOT SCALE DRAWING

3D Models are available, contact Razorbill Instruments

6 5 4 3 2 1