

6

5

4

3

2

1

D

D

C

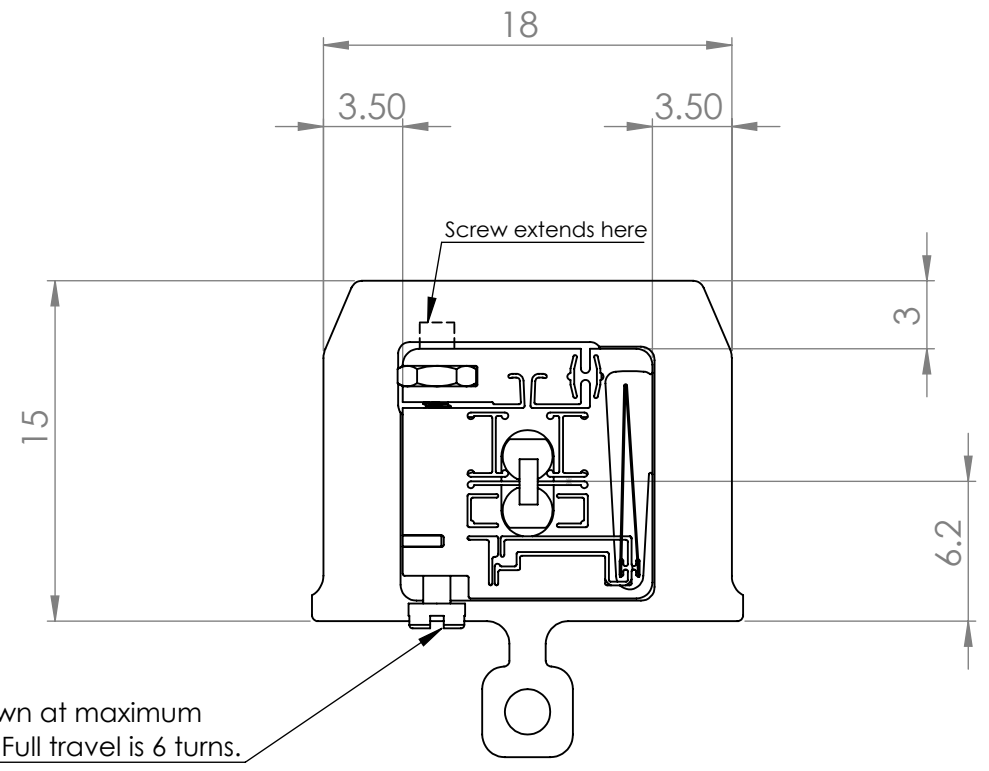
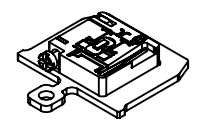
C

B

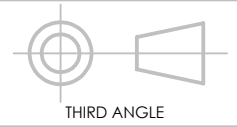
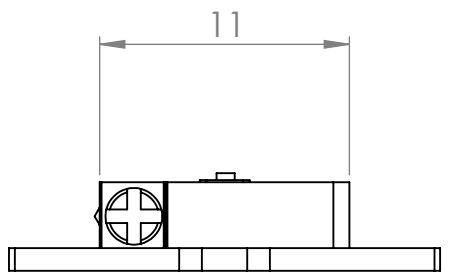
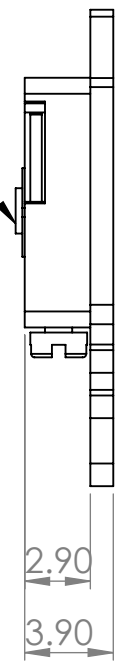
B

A

A



Sample adds to height
 Typical sample 0.2mm thick



THIRD ANGLE

RAZORBILL INSTRUMENTS

PHONE: 0131 258 4329 EMAIL: tom@razorbillinstruments.com
 UNLESS NOTED OTHERWISE, ALL DESIGNS AND DRAWINGS ARE CONFIDENTIAL

TITLE:
MC050 Customer Drawing

VERSION: 2	DATE: 2022-09-22	DWG NO. MC050_customer
MATERIAL: See Note	SHEET 1 OF 1	SCALE:3:1 PRINT ON A4 DO NOT SCALE DRAWING

Materials: Grade 2, 4, and 5 Titanium; low outgassing epoxy
 3D models are available, contact Razorbill Instruments

6

5

4

3

2

1