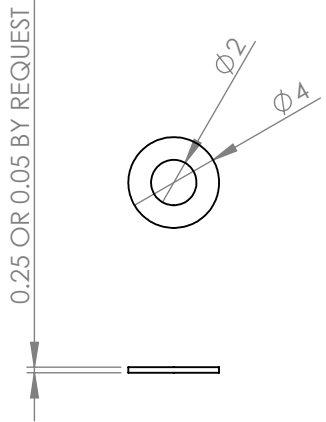
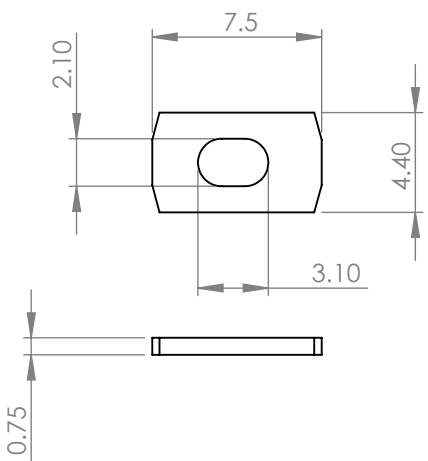


STANDARD SAMPLE PLATE
FC100_SmpPlt




STANDARD SPACER
CS100_SPCR

More sample plate variants will be added according to customer demand. Contact Razorbill Instruments to discuss options.



STANDARD COVER PLATE
FC100_SMPCOV

 <p>THIRD ANGLE</p>		<p>RAZORBILL INSTRUMENTS</p> <p>PHONE: 0131 258 4329 EMAIL: info@razorbillinstruments.com</p>	
<p>TITLE:</p> <p>FC100 SAMPLE PLATES</p>			
VERSION:	DATE:	DWG NO:	<p>FC_SMPLT_CSTM</p>
1.1	2022-11-30		
MATERIAL:		SHEET 1 OF 1	SCALE:3:1 PRINT ON A4 DO NOT SCALE DRAWING
TITANIUM			