

1 2 3 4 5 6

A

B

C

D

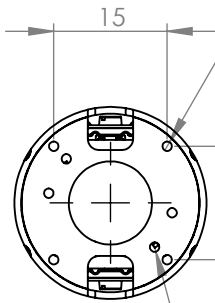
A

B

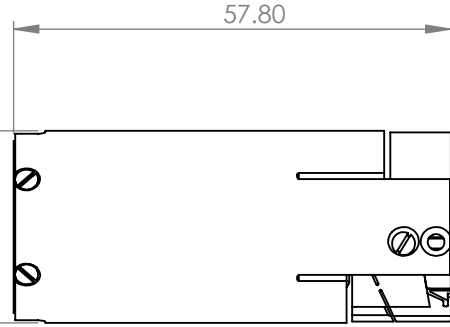
C

D

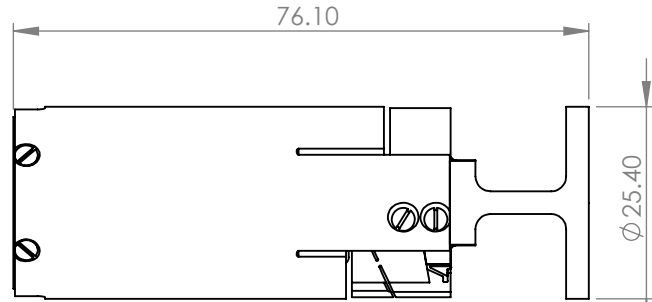
MOUNTING HOLES
4x M1.6 ∇ 3



MOUNTING HOLES
TO SUIT PPMS
4x M1.6 ∇ 3
36° APART ON 16.5PCD

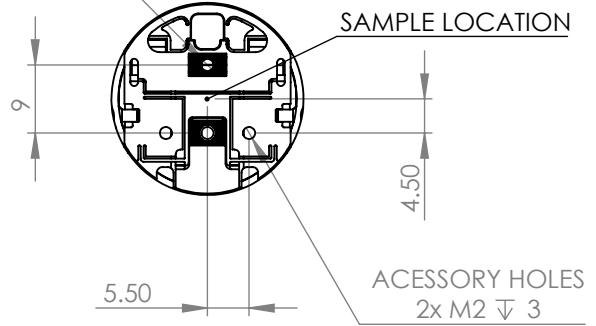


WITHOUT BUMP GUARD



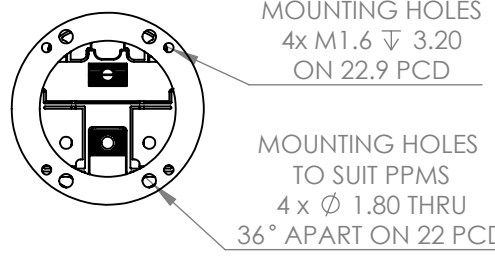
WITH BUMP GUARD

SAMPLE MOUNTS
M2 ∇ 3.5
USE SCREWS PROVIDED



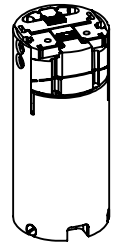
SAMPLE LOCATION

ACCESSORY HOLES
2x M2 ∇ 3



MOUNTING HOLES
4x M1.6 ∇ 3.20
ON 22.9 PCD

MOUNTING HOLES
TO SUIT PPMS
4 x Ø 1.80 THRU
36° APART ON 22 PCD

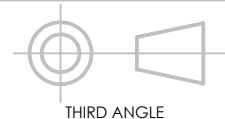


3D MODELS ARE AVAILABLE. CONTACT RAZORBILL INSTRUMENTS

WIRING NOT SHOWN - SEE DATASHEET

SAMPLE AND SAMPLE PLATES NOT SHOWN

DO NOT USE SCREWS LONGER THAN INDICATED OR CELL MAY BE DAMAGED



THIRD ANGLE

RAZORBILL INSTRUMENTS

PHONE: 0131 258 4329 EMAIL: info@razorbillinstruments.com

TITLE:

FC100 CUSTOMER DRAWING

VERSION: 8 DATE: 2022-11-30 DWG. NO. **FC100_CSTMR**

MATERIAL: N/A (ASSEMBLY) SHEET 1 OF 1 SCALE:1:1 PRINT ON A4 DO NOT SCALE DRAWING

1 2 3 4 5 6