

1 2 3 4 5 6

A

B

C

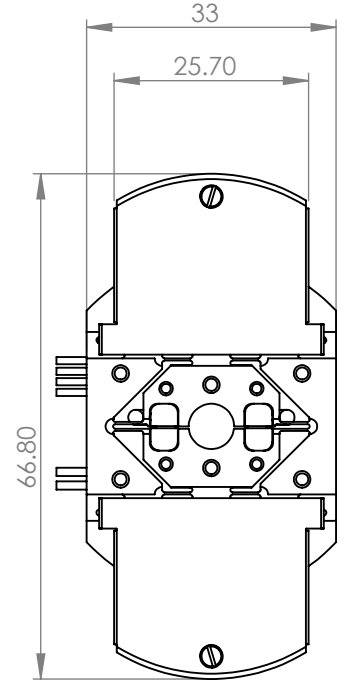
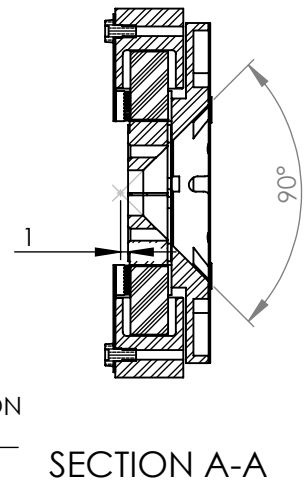
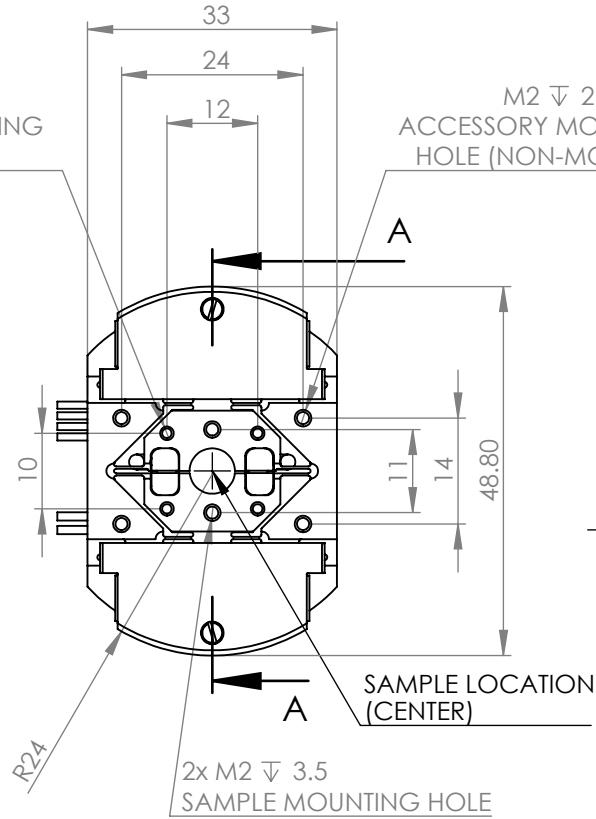
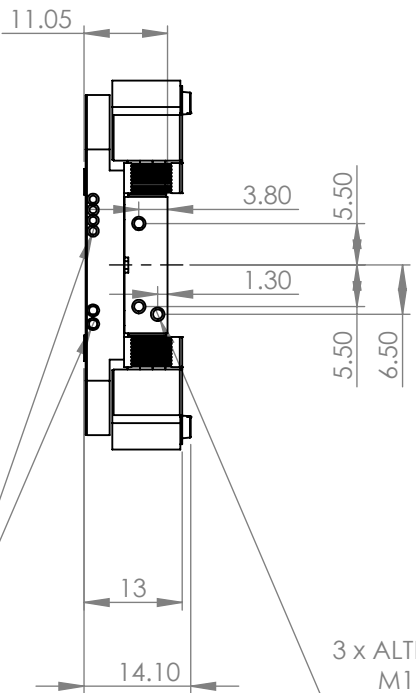
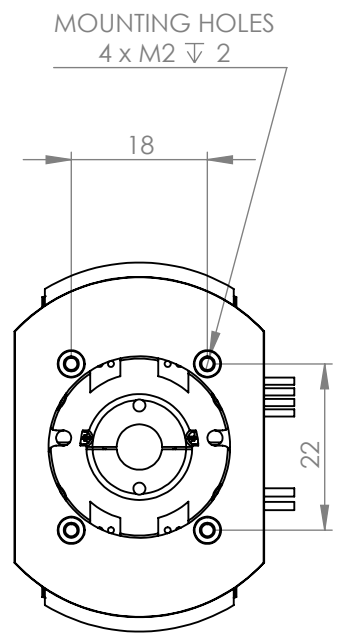
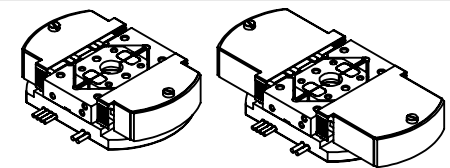
D

A

B

C

D



CS220T
ALL OTHER VIEWS ARE CS200T



RAZORBILL INSTRUMENTS

PHONE: 0131 258 4329 EMAIL: info@razorbillinstruments.com
UNLESS NOTED OTHERWISE, ALL DESIGNS AND DRAWINGS ARE CONFIDENTIAL

TITLE:
CS2x0T Customer Drawing

VERSION: 4	DATE: 2022-11-30	DWG NO. CS2x0T_cstmr
MATERIAL: N/A (Assembly)	SHEET 1 OF 1	SCALE:1:1 PRINT ON A4 DO NOT SCALE DRAWING

BOTH CELLS WILL FIT AXIALLY IN A 2" BORE. CS200T WILL ALSO FIT TRANSVERSELY
3D MODELS ARE AVAILABLE. CONTACT RAZORBILL INSTRUMENTS
SAMPLE AND SAMPLE PLATES NOT SHOWN
DO NOT USE SCREWS LONGER THAN INDICATED OR CELL MAY BE DAMAGED

1 2 3 4 5 6