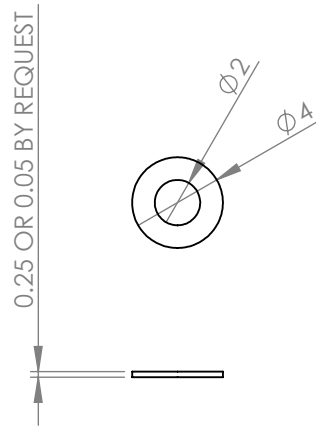
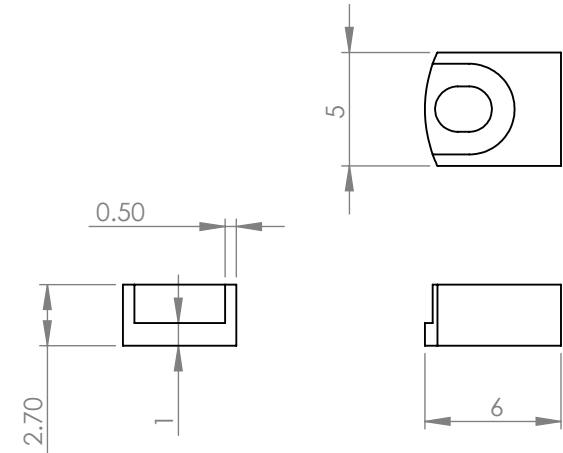


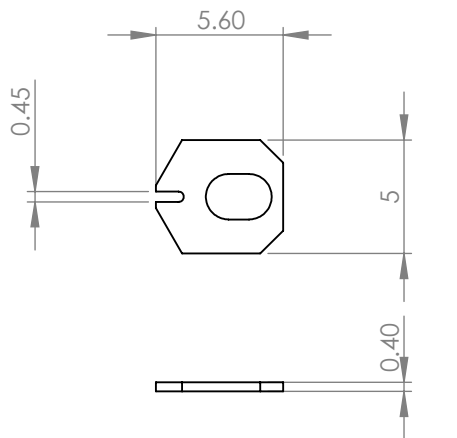
STANDARD SAMPLE PLATE
CS100_SMPLT



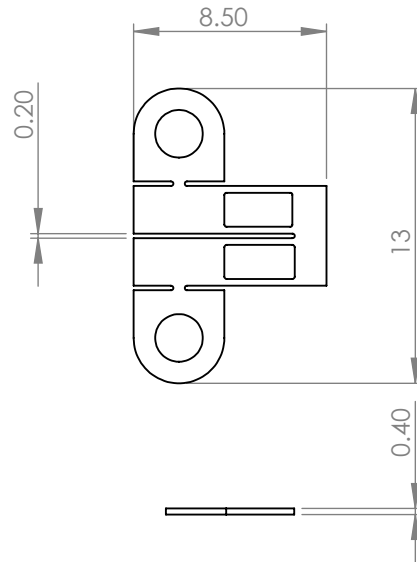
STANDARD SPACER
CS100_SPCR



RAISED PLATES FOR IMPROVED
ACCESS TO SAMPLE
CS100_WIDANPLTS



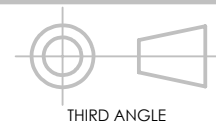
SLOTTED PLATE TO SUPPORT
VERTICALLY ORIENTED SAMPLE
CS100_SPCRH



PAIR OF SAMPLE PLATES GUIDED
BY FLEXURES FOR VERY SMALL OR
THIN SAMPLES
CS100_SMPLTS2D

Kit Part Number	Kit Contents
SP100	8x CS100_SMPLT + 10x CS100_SPCR
SP110	8x CS100_SPCRH
SP120	1x CS100_SMPLTS2D
SP140	2x CS100_WIDANPLTS

For samples which cannot be mounted using these plates,
contact Razorbill Instruments to discuss other options.



THIRD ANGLE

RAZORBILL INSTRUMENTS

PHONE: 0131 2584329

EMAIL: info@razorbillinstruments.com

TITLE:

CS1x0 SAMPLE PLATES

VERSION:

2

DATE:

2021-08-23

DWG NO.

CS_SMPLT_CSTM

MATERIAL:

TITANIUM

SHEET 1 OF 1

SCALE:3:1 PRINT ON A4
DO NOT SCALE DRAWING