

1 2 3 4 5 6

A

A

B

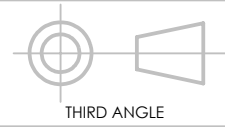
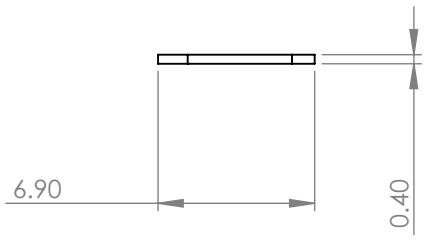
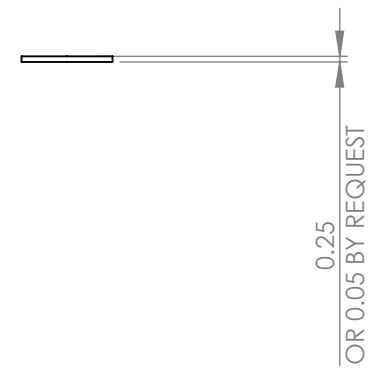
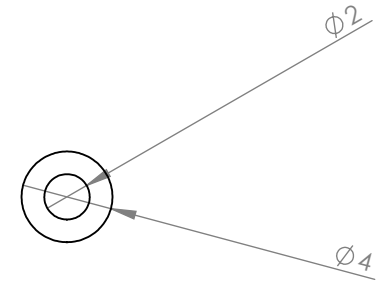
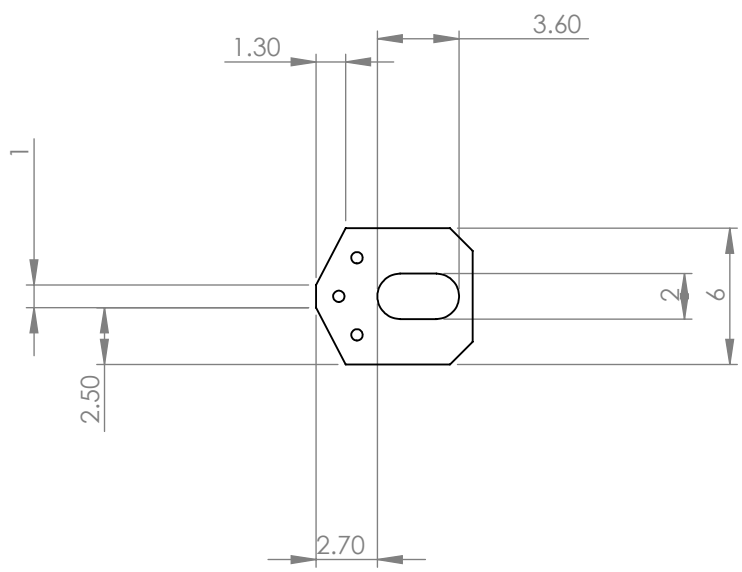
B

C

C

D

D



THIRD ANGLE

RAZORBILL INSTRUMENTS

PHONE: 0131 6688 488 EMAIL: jack@razorbillinstruments.com  
UNLESS NOTED OTHERWISE, ALL DESIGNS AND DRAWINGS ARE CONFIDENTIAL

TITLE:

CS2x0T SAMPLE PLATES

VERSION:

1

DATE:

2019-05-24

DWG NO:

CS2x0T\_SMPLT\_cstmr

MATERIAL:

GR 2 OR 4 TITANIUM

SHEET 1 OF 1

SCALE:3:1 PRINT ON A4  
DO NOT SCALE DRAWING

3D MODELS ARE AVAILABLE. CONTACT RAZORBILL INSTRUMENTS  
MORE SAMPLE PLATE VARIANTS WILL BE ADDED ACCORDING TO CUSTOMER DEMAND.  
CONTACT RAZORBILL INSTRUMENTS TO DISCUSS OPTIONS.

1 2 3 4 5 6