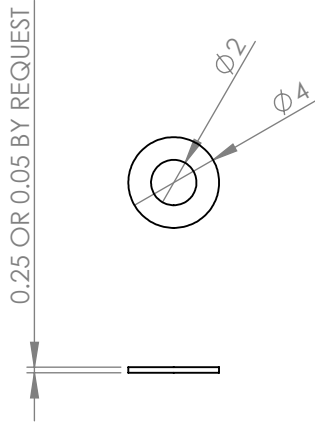
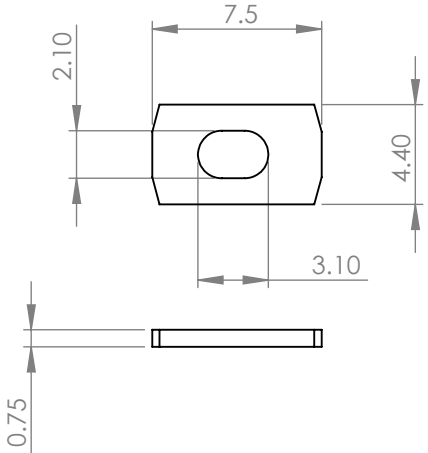


STANDARD SAMPLE PLATE
FC100_SmpPlt




STANDARD SPACER
CS100_SPCR

More sample plate variants will be added according to customer demand. Contact Razorbill Instruments to discuss options.



STANDARD COVER PLATE
FC100_SMPCOV

 THIRD ANGLE		RAZORBILL INSTRUMENTS PHONE: 0131 6688 489 EMAIL: info@razorbillinstruments.com	
TITLE:			
<h1>FC100 SAMPLE PLATES</h1>			
VERSION:	DATE:	DWG NO:	
1	2018-08-29	FC_SMPLT_CSTM	
MATERIAL:		SHEET 1 OF 1	SCALE:3:1 PRINT ON A4 DO NOT SCALE DRAWING
TITANIUM			