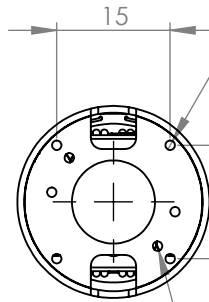
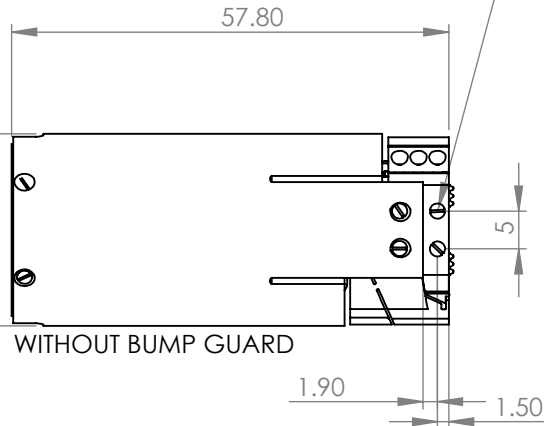


MOUNTING HOLES  
4x M1.6  $\nabla$  3

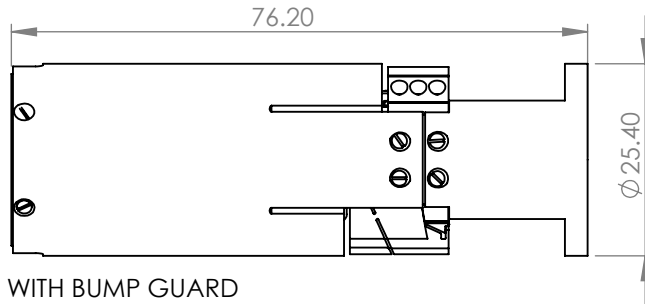


MOUNTING HOLES  
TO SUIT PPMS  
4x M1.6  $\nabla$  3  
36° APART ON 16.5PCD

MOUNTING HOLES  
4x M1.2  $\nabla$  3

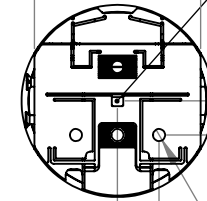


WITHOUT BUMP GUARD



WITH BUMP GUARD

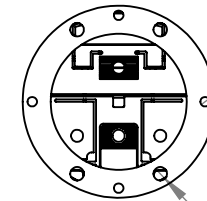
MOUNTING SURFACES  
22



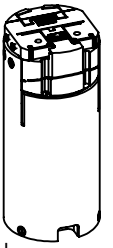
SAMPLE LOCATION

ACCESSORY HOLES  
2x M2  $\nabla$  3

MOUNTING HOLES  
4x M1.6  $\nabla$  3.20  
ON 22.9 PCD



MOUNTING HOLES  
TO SUIT PPMS  
4 x  $\phi$  1.80 THRU  
36° APART ON 16.5PCD



THIRD ANGLE

RAZORBILL INSTRUMENTS

PHONE: 0131 6688 489

EMAIL: info@razorbillinstruments.com

TITLE:

FC100 CUSTOMER DRAWING

VERSION:

1

DATE:

2018-08-29

DWG NO.

FC100\_CSTM

MATERIAL:

N/A (ASSEMBLY)

SHEET 1 OF 1

SCALE:1:1 PRINT ON A4  
DO NOT SCALE DRAWING

3D MODELS ARE AVAILABLE. CONTACT RAZORBILL INSTRUMENTS

WIRING NOT SHOWN - SEE DATASHEET

SAMPLE AND SAMPLE PLATES NOT SHOWN

DO NOT USE SCREWS LONGER THAN INDICATED OR CELL MAY  
BE DAMAGED