

A

B

C

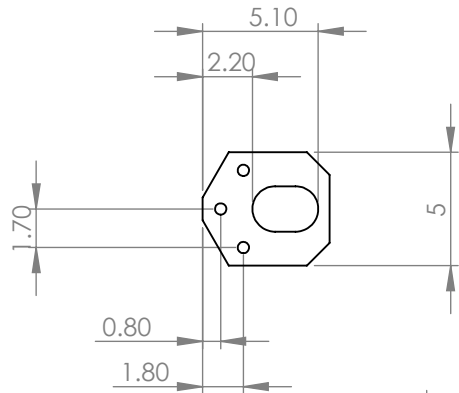
D

A

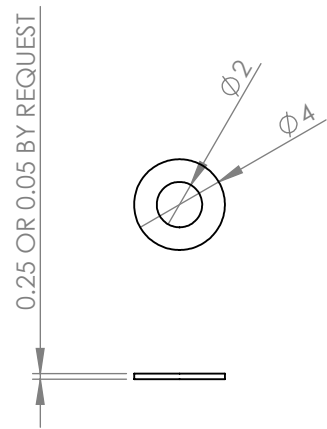
B

C

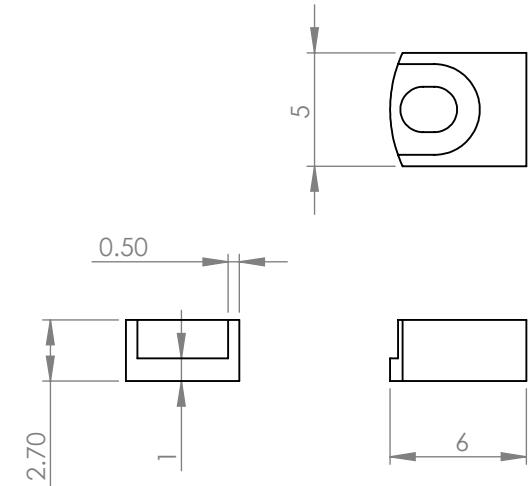
D



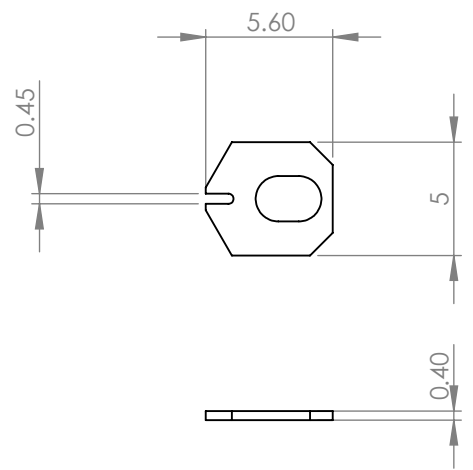
STANDARD SAMPLE PLATE  
CS100\_SMPLT



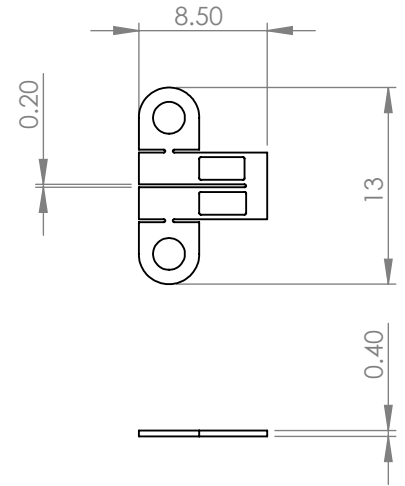
STANDARD SPACER  
CS100\_SPCR



RAISED PLATES FOR IMPROVED  
ACCESS TO SAMPLE  
CS100\_WIDANPLTS




SLOTTED PLATE TO SUPPORT  
VERTICALLY ORIENTED SAMPLE  
CS100\_SPCRH



PAIR OF SAMPLE PLATES GUIDED  
BY FLEXURES FOR VERY SMALL OR  
THIN SAMPLES  
CS100\_SMPLTS2D

For samples which cannot be mounted using these plates,  
contact Razorbill Instruments to discuss other options.

 THIRD ANGLE		<b>RAZORBILL INSTRUMENTS</b> PHONE: 0131 6688 489    EMAIL: info@razorbillinstruments.com	
TITLE: <h1 style="text-align: center;">CS1x0 SAMPLE PLATES</h1>			
VERSION: 1	DATE: 2018-08-29	DWG NO: CS_SMPLT_CSTM	
MATERIAL: TITANIUM		SHEET 1 OF 1	SCALE:3:1 PRINT ON A4 DO NOT SCALE DRAWING

1 2 3 4 5 6