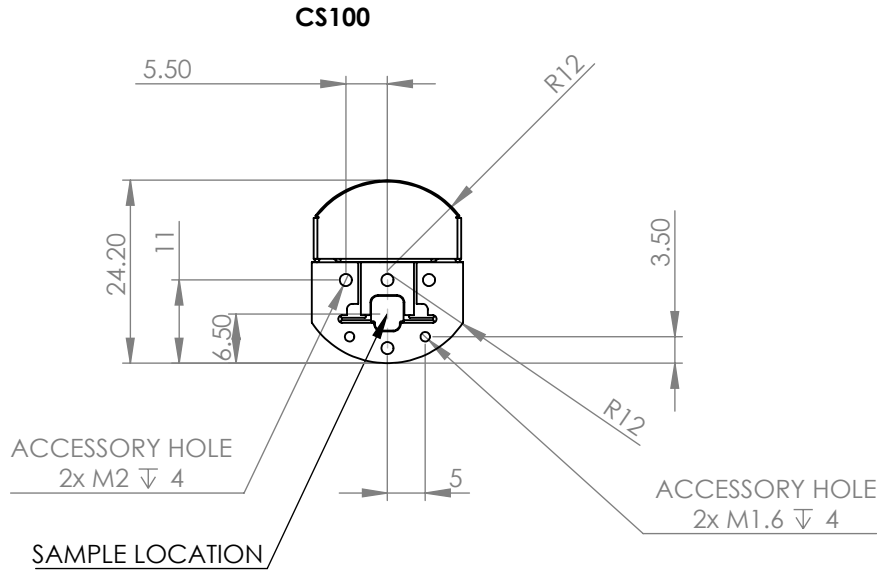
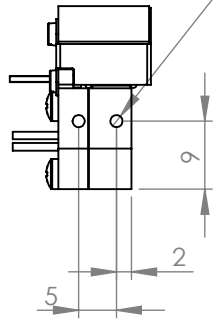


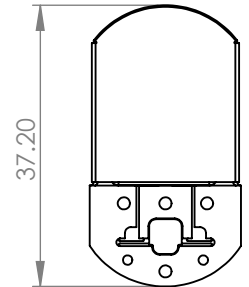
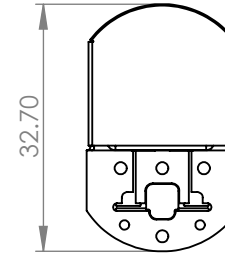
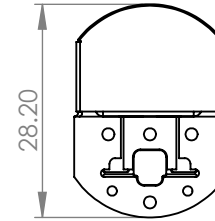
MOUNTING HOLES  
4x M2  $\nabla$  2.50  
USE COMPLIANT HOLDER  
OR ONE SIDE ONLY



CS110

CS120

CS130

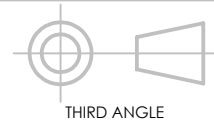
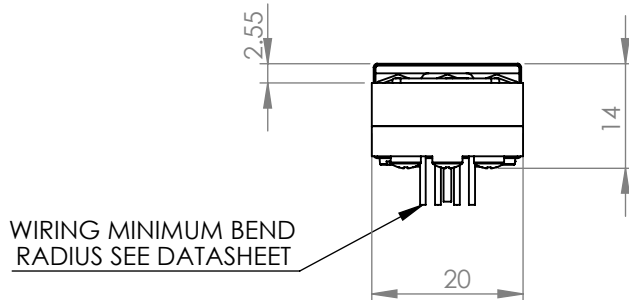


ALL VARIANTS FIT VERTICALLY IN 1" BORE. FOR HORIZONTAL MOUNTING BORE SHOULD BE AT LEAST 1MM LARGER THAN CELL LENGTH

3D MODELS ARE AVAILABLE. CONTACT RAZORBILL INSTRUMENTS

SAMPLE AND SAMPLE PLATES NOT SHOWN

DO NOT USE SCREWS LONGER THAN INDICATED OR CELL MAY BE DAMAGED



THIRD ANGLE

RAZORBILL INSTRUMENTS

PHONE: 0131 6688 489

EMAIL: info@razorbillinstruments.com

TITLE:

CS1x0 CUSTOMER DRAWING

VERSION:

1

DATE:

2018-08-29

DWG NO.

CS1x0\_CSTM

MATERIAL:

N/A (ASSEMBLY)

SHEET 1 OF 1

SCALE:2:1 PRINT ON A4  
DO NOT SCALE DRAWING