

6 5 4 3 2 1

D

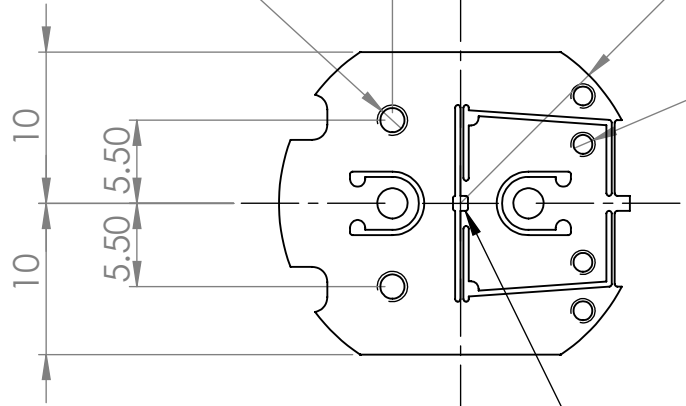
D

2 x M2
To suit WP100

4.50

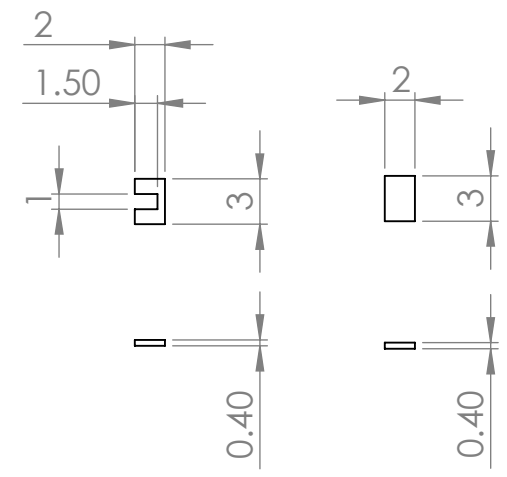
R12

4 x M1.6
for clamp bar



Sample
mounts over
1mm sq. hole

SP150 sample plate and spacer

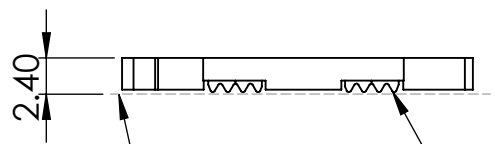


C

C

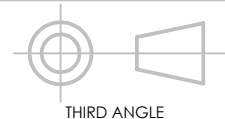
B

B



Top of FC100
when mounted

Toothed interface
fits FC100 cell



RAZORBILL INSTRUMENTS

PHONE: 0131 258 4329 EMAIL: info@razorbillinstruments.com
UNLESS NOTED OTHERWISE, ALL DESIGNS AND DRAWINGS ARE CONFIDENTIAL

TITLE:
SR100 Customer Drawing

VERSION: 1 DATE: 2021-08-20 DWG NO. SR100_datasheet

MATERIAL: Titanium SHEET 1 OF 1 SCALE:2:1 PRINT ON A4
DO NOT SCALE DRAWING

6 5 4 3 2 1

A

A