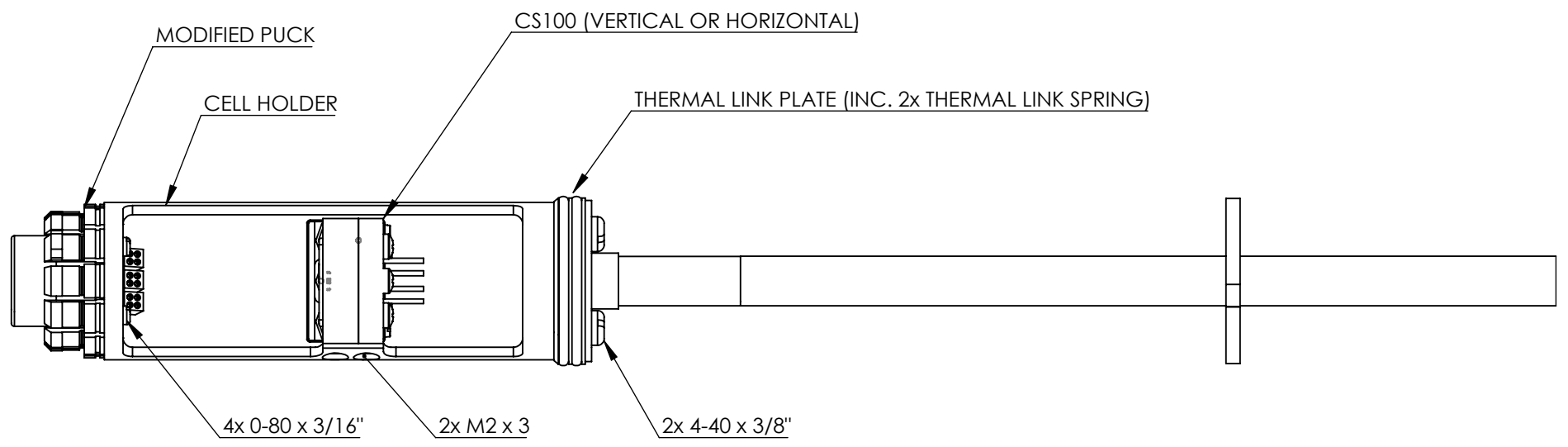


1 2 3 4 5 6

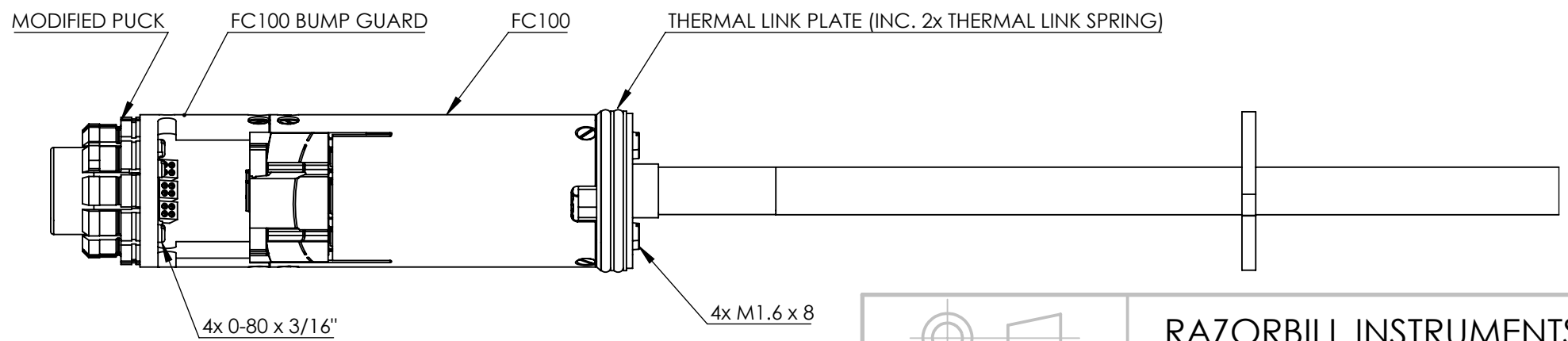
A

A



B

B



C

C

 THIRD ANGLE	RAZORBILL INSTRUMENTS PHONE: 0131 6688 490 EMAIL: tom@razorbillinstruments.com <small>UNLESS NOTED OTHERWISE, ALL DESIGNS AND DRAWINGS ARE CONFIDENTIAL</small>
--	---

TITLE:
PPMS1 CUSTOMER DRAWING

MIXED METRIC AND US CUSTOMARY STANDARDS. ALL RAZORBILL INSTRUMENTS PRODUCTS USE METRIC FIXINGS AND FITTINGS. THE PPMS AND THE P450 PROBE BUILT BY QUANTUM DESIGN USE US CUSTOMARY FIXINGS. ATTEMPTING TO FIT A METRIC SCREW INTO A US HOLE OR VICE VERSA MAY DAMAGE ONE OR THE OTHER. A THE SCREW SELECTION TABLE IS PROVIDED IN THE USER MANUAL

VERSION: 1	DATE: 2019-06-12	DWG NO. PPMS1_CSTM
MATERIAL: N/A	SHEET 1 OF 1	SCALE:1:1 PRINT ON A4 <small>DO NOT SCALE DRAWING</small>

D

D

1 2 3 4 5 6