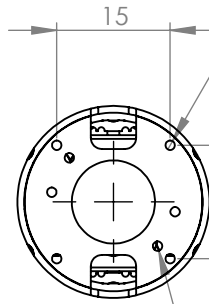
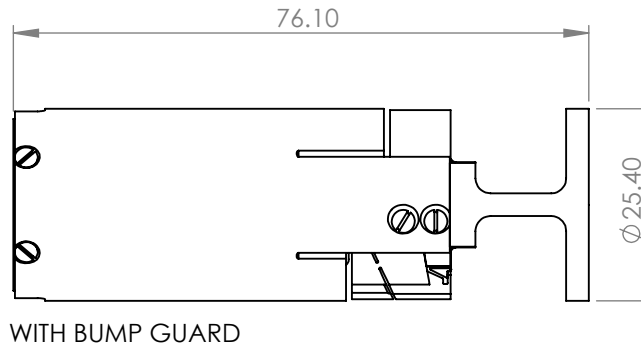
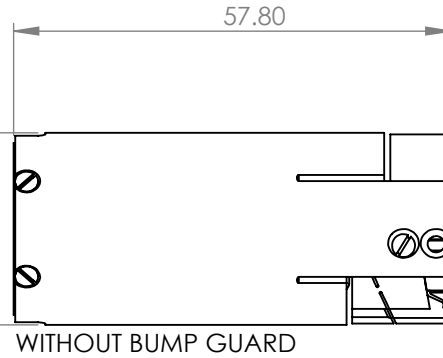


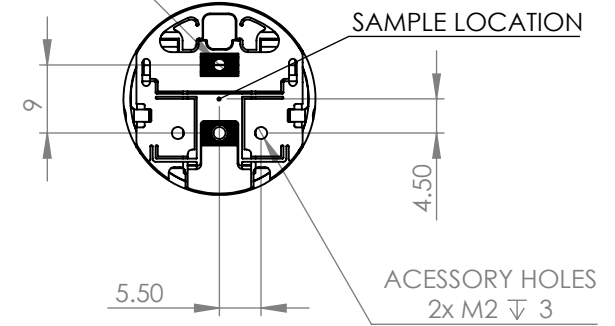
MOUNTING HOLES
4x M1.6 ∇ 3



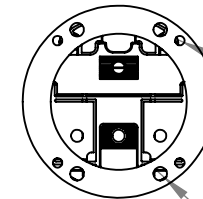
MOUNTING HOLES
TO SUIT PPMS
4x M1.6 ∇ 3
36° APART ON 16.5PCD



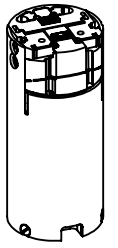
SAMPLE MOUNTS
M2 ∇ 3.5
USE SCREWS PROVIDED



MOUNTING HOLES
4x M1.6 ∇ 3.20
ON 22.9 PCD



MOUNTING HOLES
TO SUIT PPMS
4 x Ø 1.80 THRU
36° APART ON 22 PCD

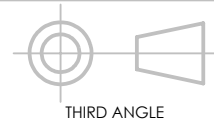


3D MODELS ARE AVAILABLE. CONTACT RAZORBILL INSTRUMENTS

WIRING NOT SHOWN - SEE DATASHEET

SAMPLE AND SAMPLE PLATES NOT SHOWN

DO NOT USE SCREWS LONGER THAN INDICATED OR CELL MAY
BE DAMAGED



RAZORBILL INSTRUMENTS

PHONE: 0131 6688 489

EMAIL: info@razorbillinstruments.com

TITLE:

FC100 CUSTOMER DRAWING

VERSION:

2

DATE:

2019-11-07

DWG. NO.

FC100_CSTM

MATERIAL:

N/A (ASSEMBLY)

SHEET 1 OF 1

SCALE:1:1 PRINT ON A4
DO NOT SCALE DRAWING