

A

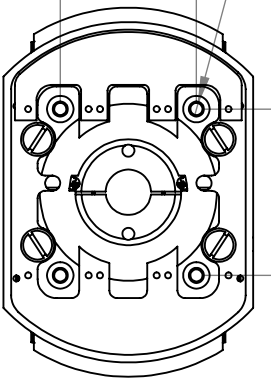
B

C

D

MOUNTING HOLES
4 x M2 ∇ 2

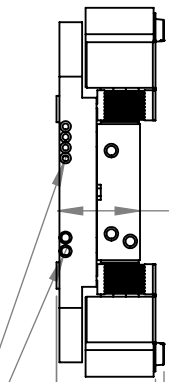
18



22

6x WIRE EXIT HOLES

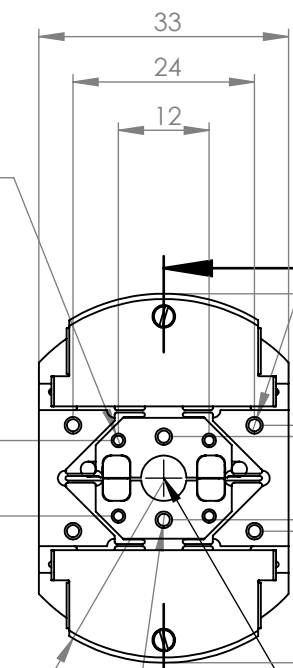
4 x M1.6 ∇ 5
ACCESSORY MOUNTING
HOLE (MOVING)



10.90

13.10

14.20



33

24

12

M2 ∇ 2
ACCESSORY MOUNTING
HOLE (NON-MOVING)

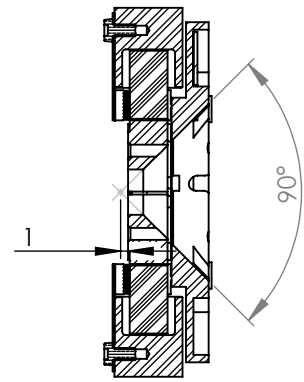
A

48.80

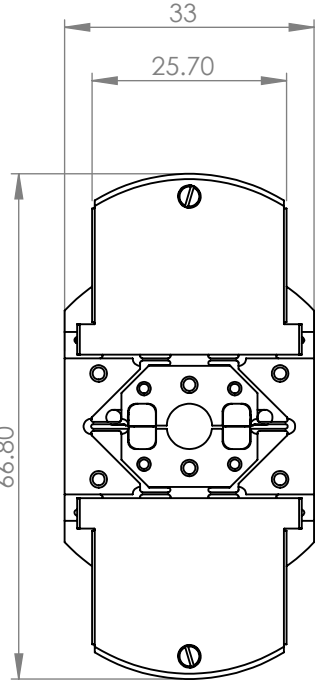
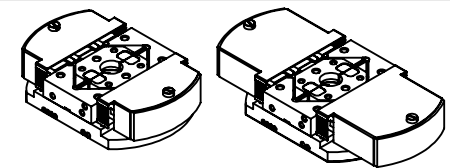
SAMPLE LOCATION
(CENTER)

2x M2 ∇ 3.5
SAMPLE MOUNTING HOLE

R24



SECTION A-A



33

25.70

66.80

CS220T

ALL OTHER VIEWS ARE CS200T



THIRD ANGLE

RAZORBILL INSTRUMENTS

PHONE: 0131 6688 488 EMAIL: jack@razorbillinstruments.com
UNLESS NOTED OTHERWISE, ALL DESIGNS AND DRAWINGS ARE CONFIDENTIAL

TITLE:

CS2x0T Customer Drawing

VERSION: 2	DATE: 2019-05-24	DWG NO. CS2x0T_cstmr
MATERIAL: N/A (Assembly)		SHEET 1 OF 1
SCALE:1:1 PRINT ON A4 DO NOT SCALE DRAWING		

BOTH CELLS WILL FIT AXIALLY IN A 2" BORE. CS200T WILL ALSO FIT TRANSVERSELY
3D MODELS ARE AVAILABLE. CONTACT RAZORBILL INSTRUMENTS
SAMPLE AND SAMPLE PLATES NOT SHOWN
DO NOT USE SCREWS LONGER THAN INDICATED OR CELL MAY BE DAMAGED

1

2

3

4

5

6

A

B

C

D